

CONTACT: ELLEN PICARD

revisions

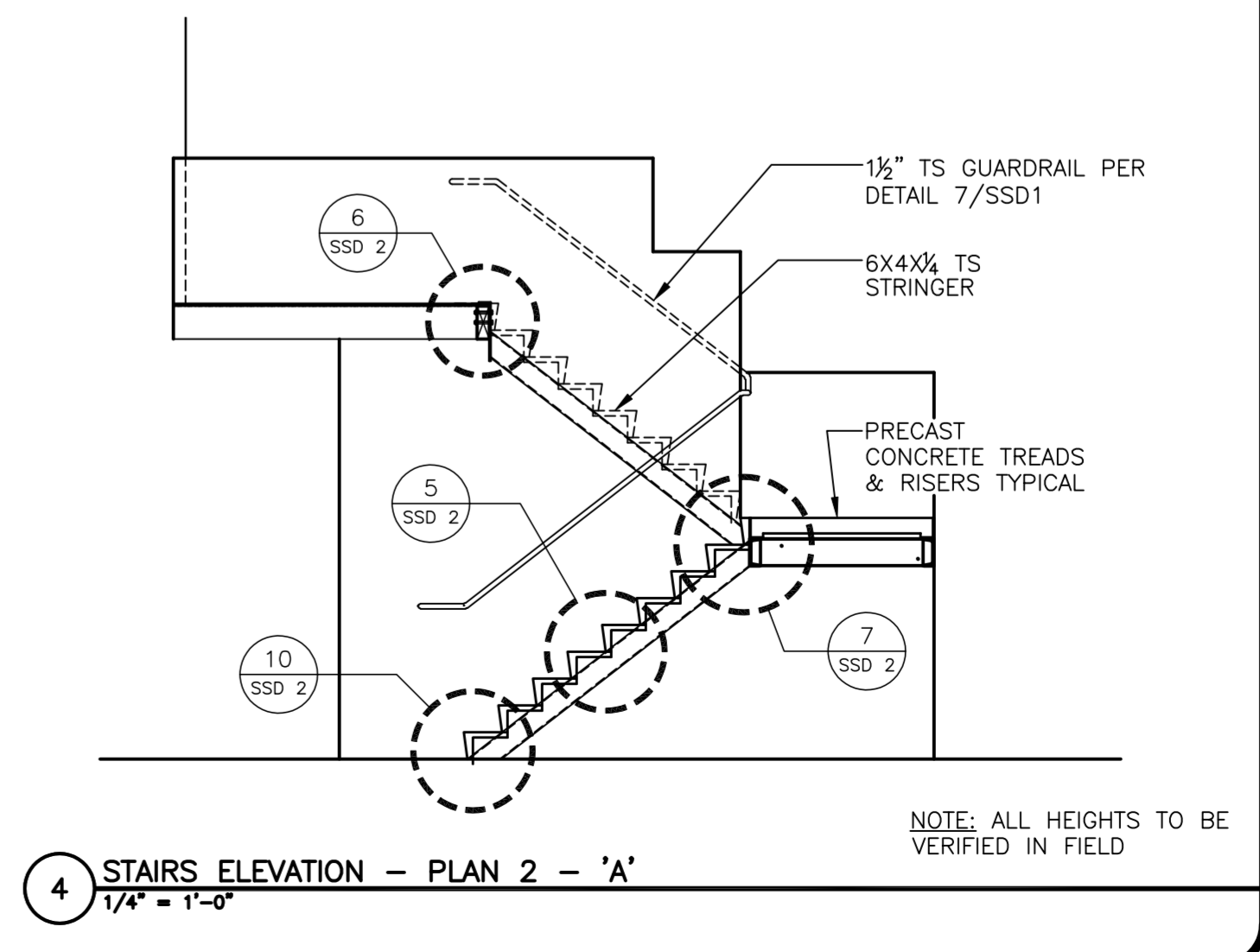
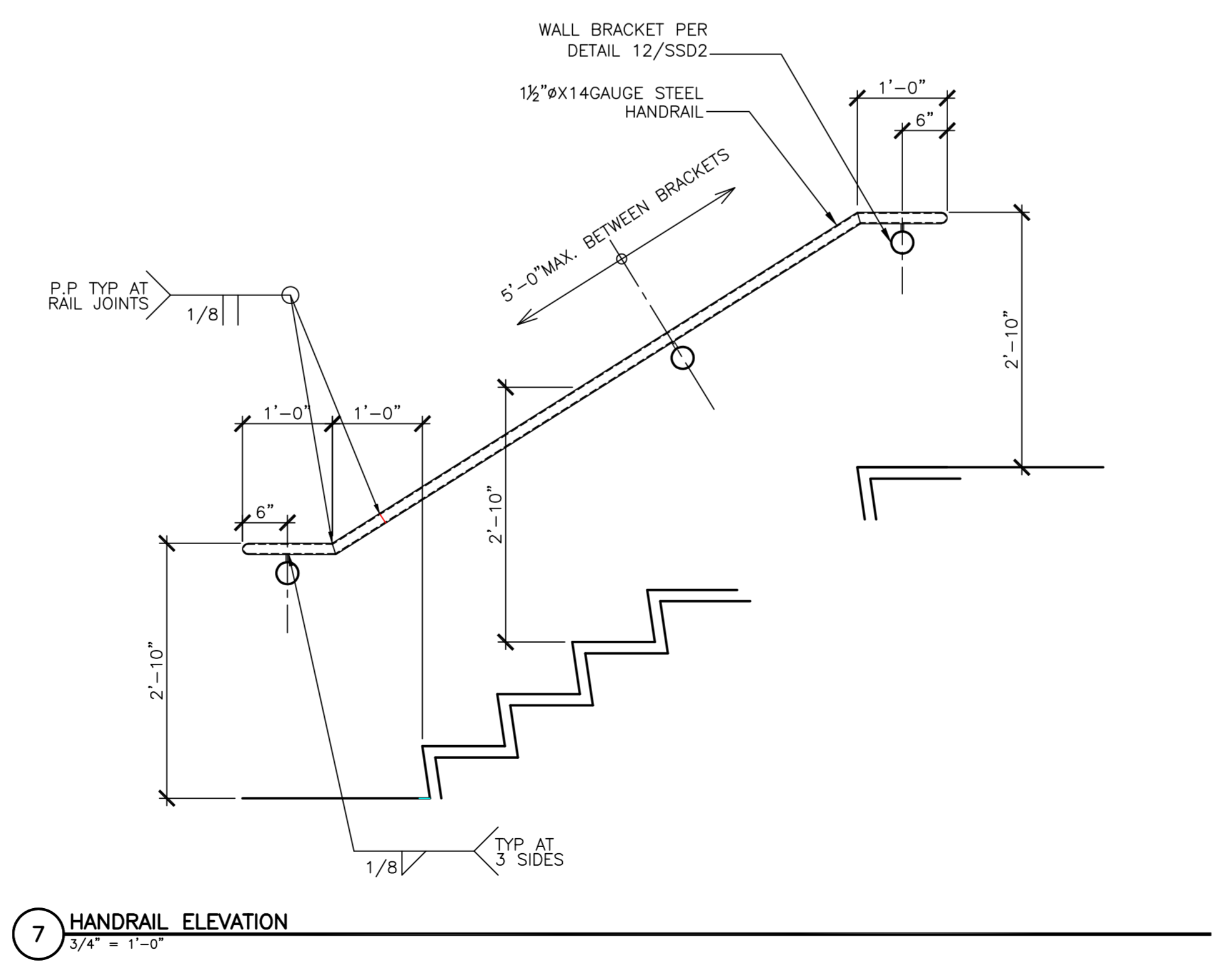
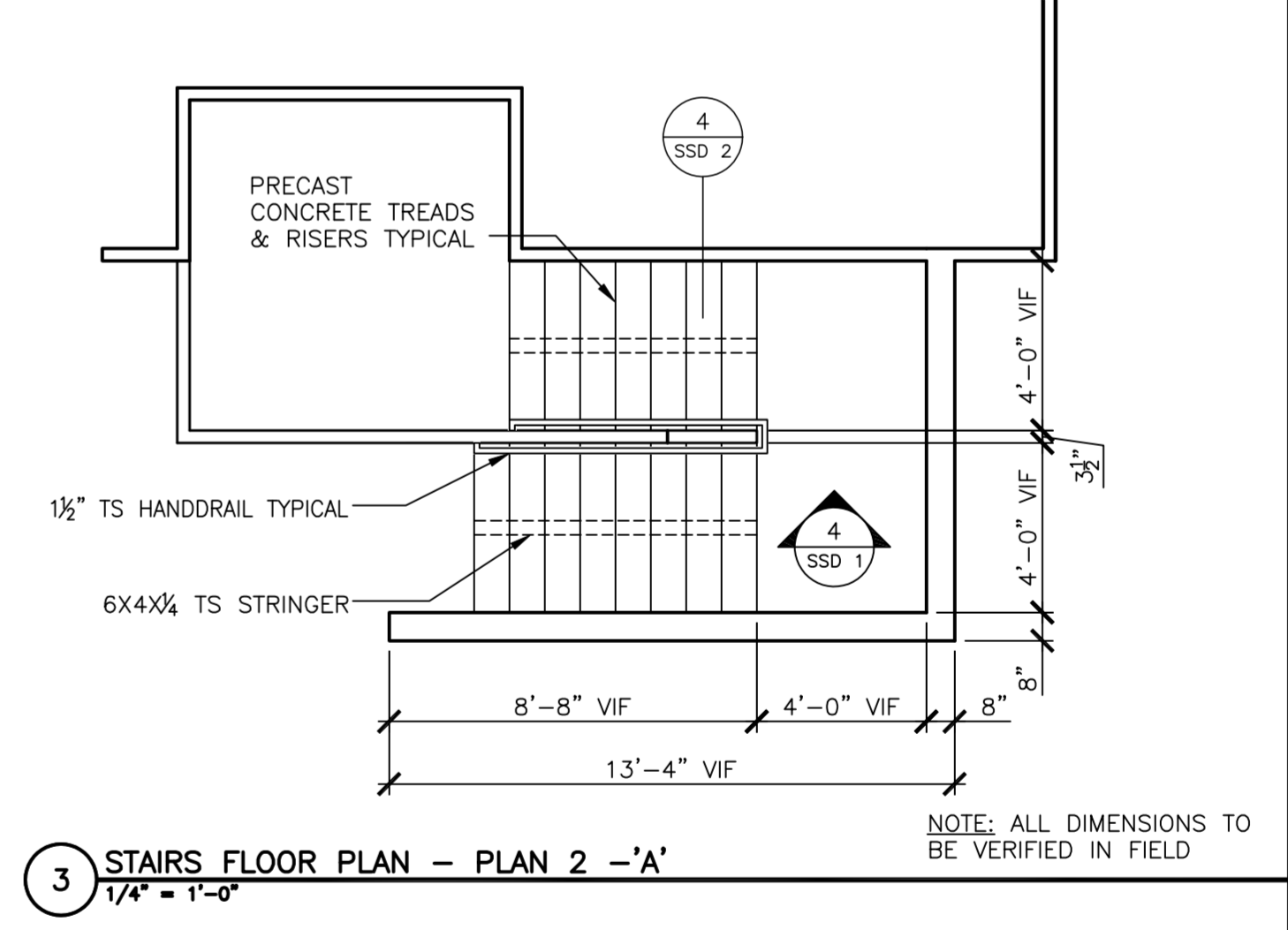
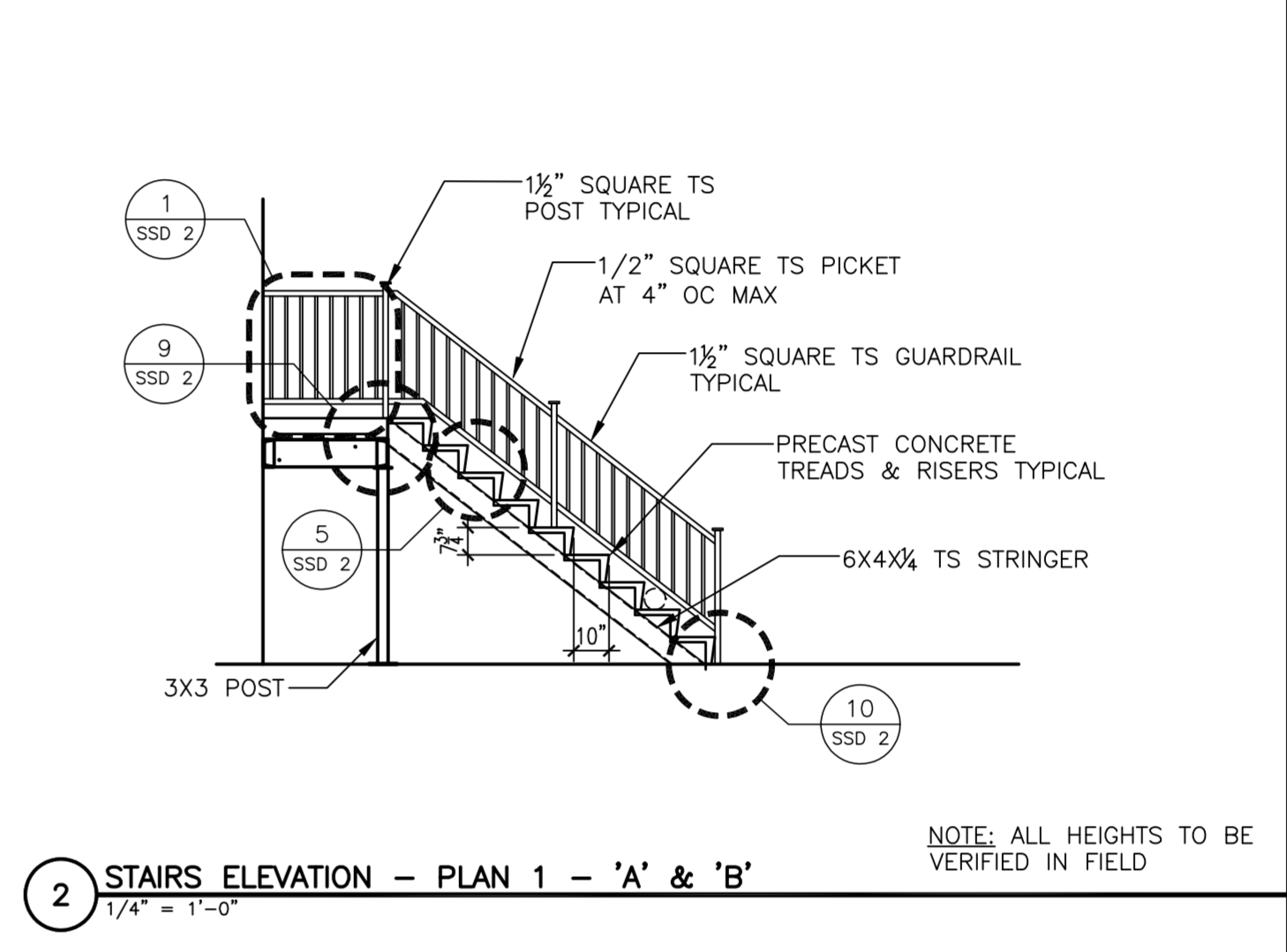
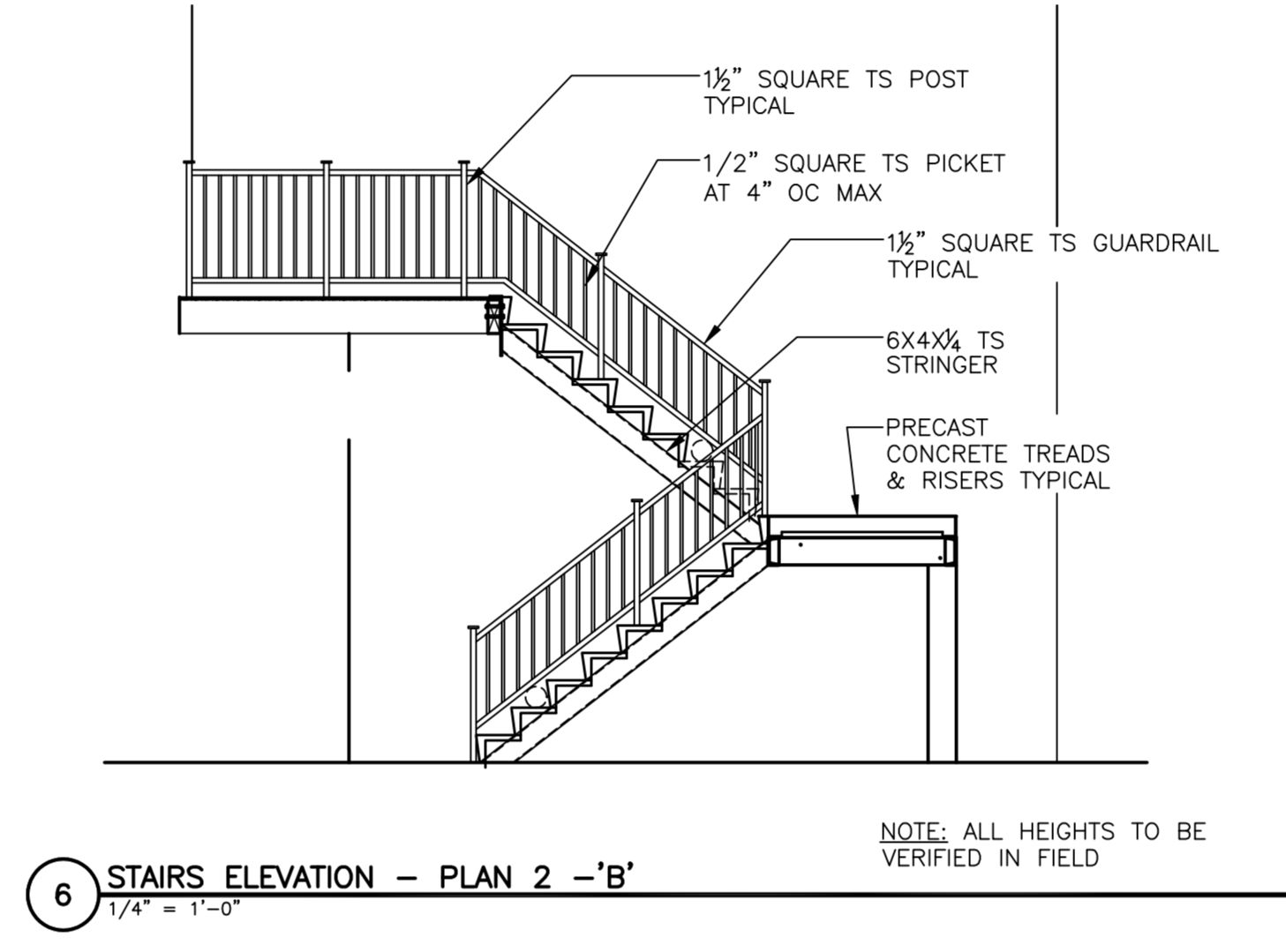
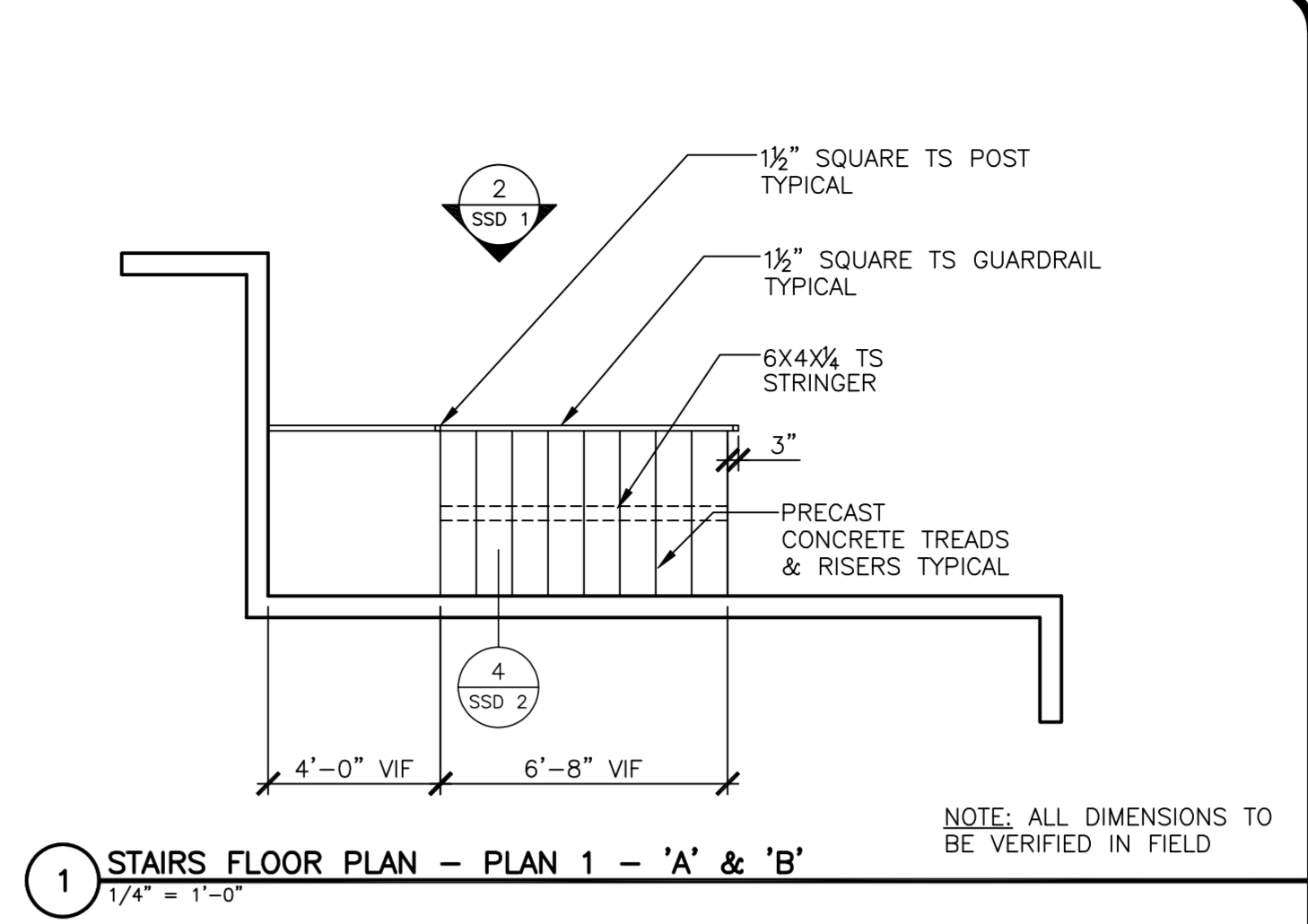
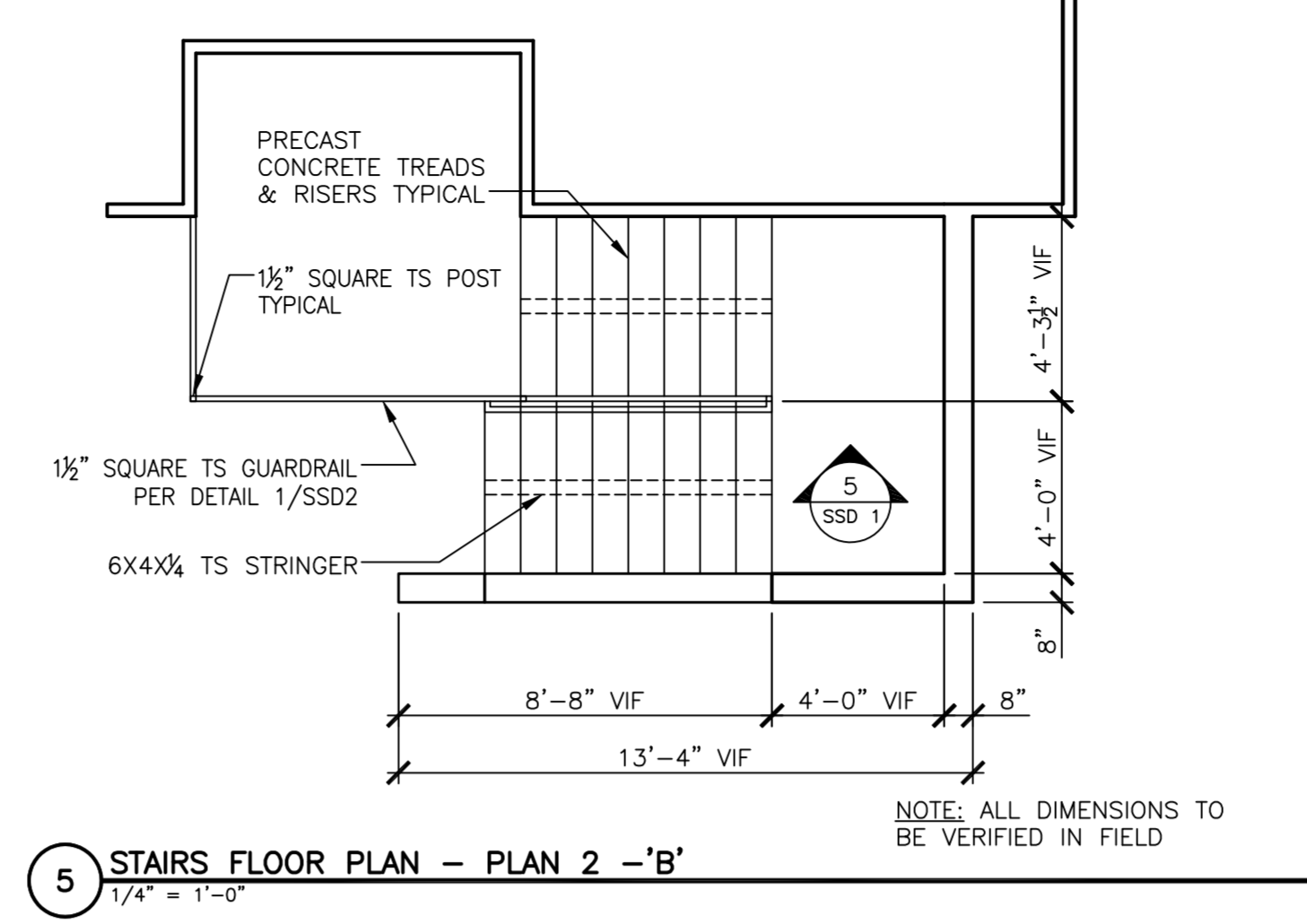
CONSULTANTS:

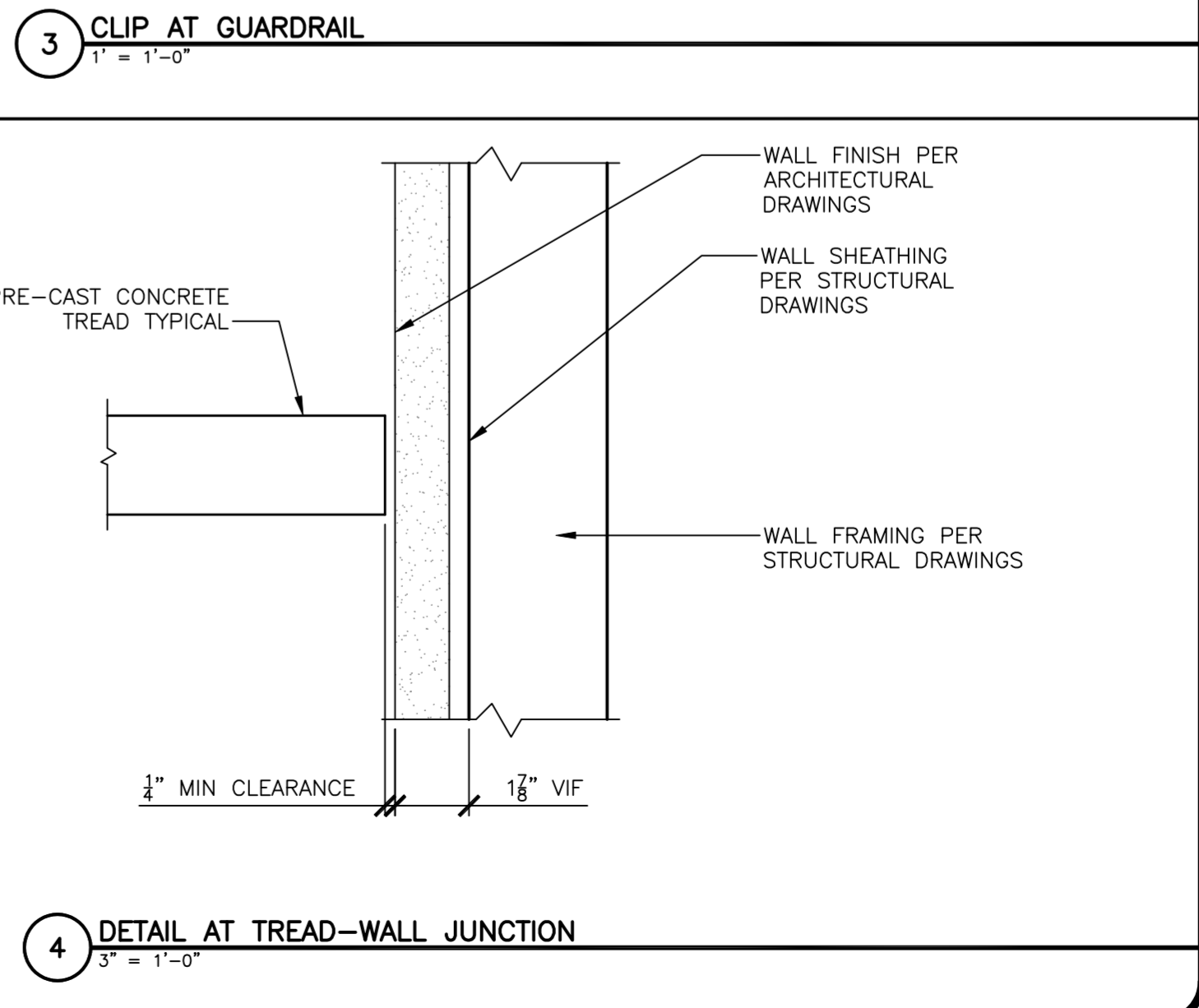
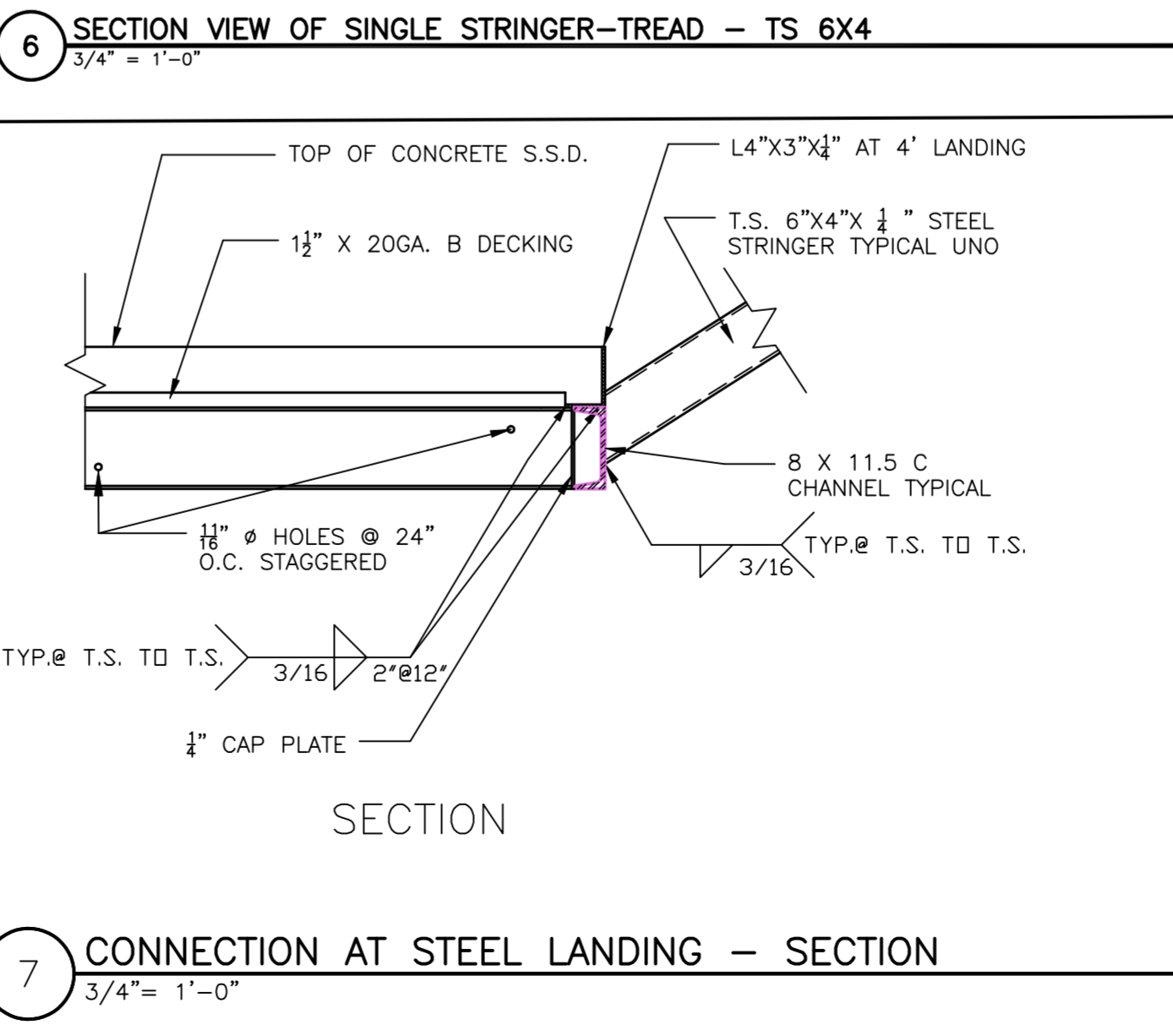
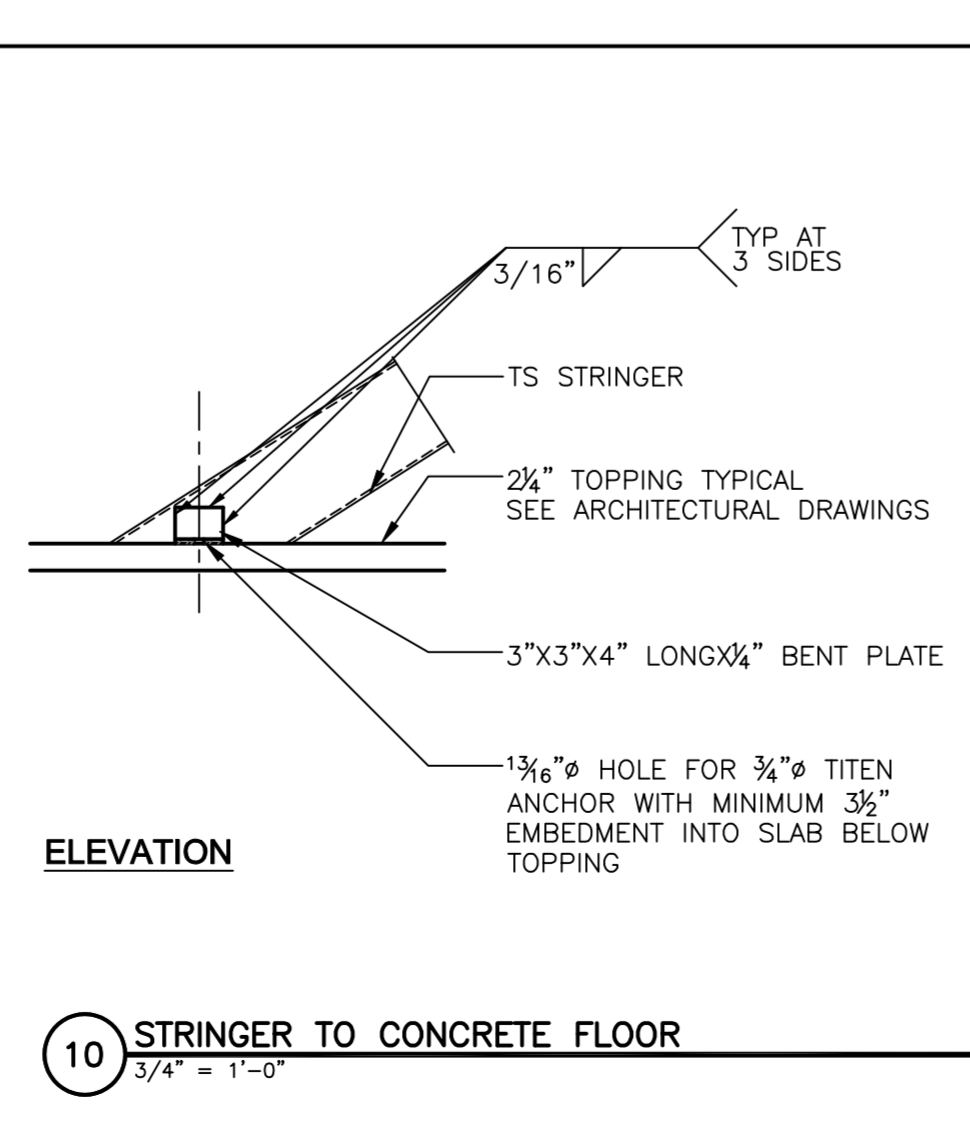
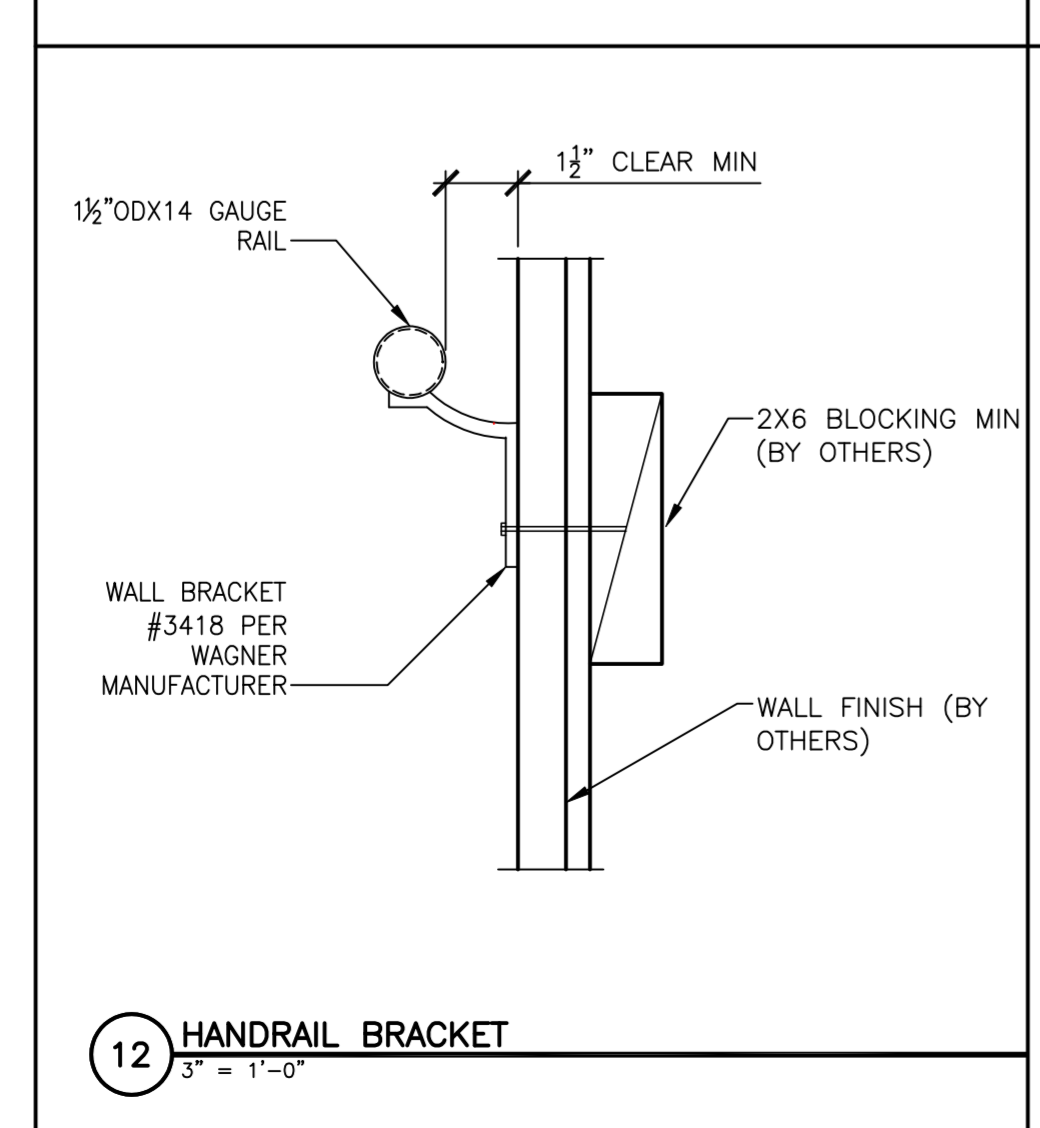
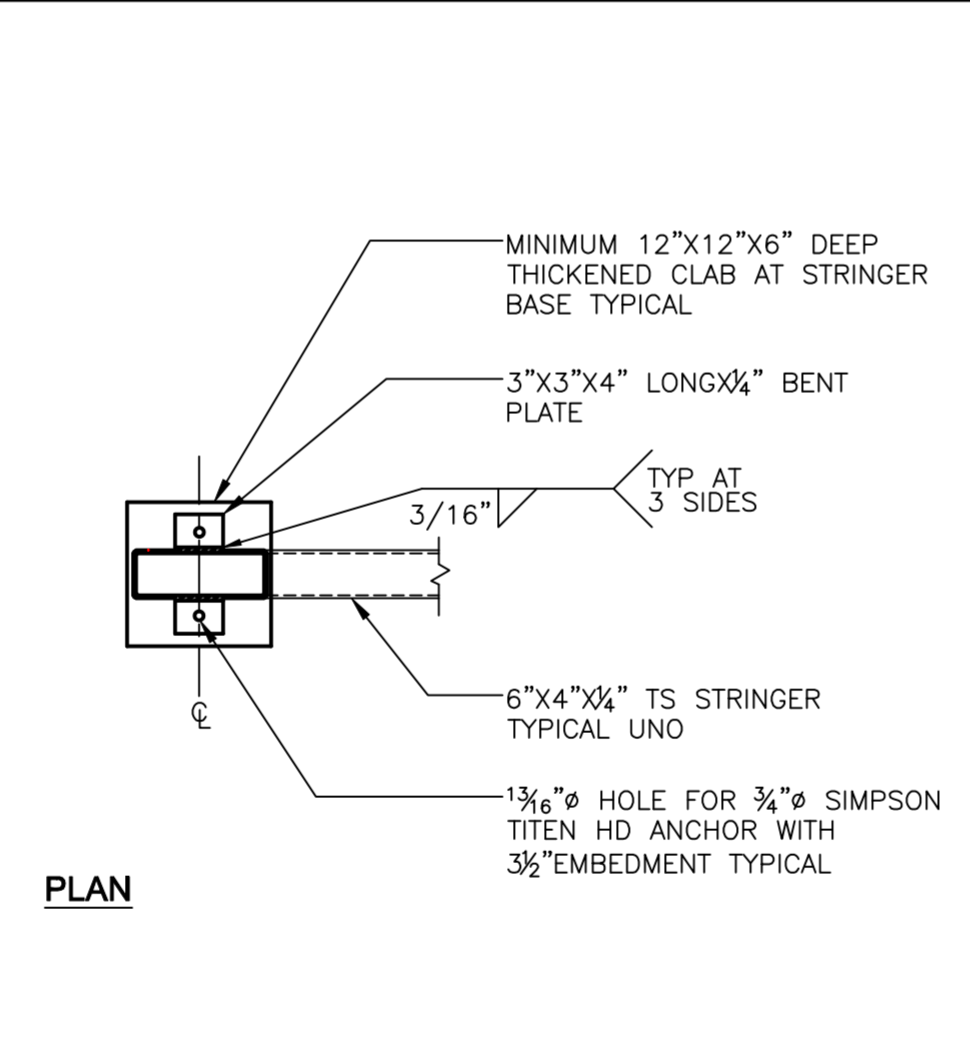
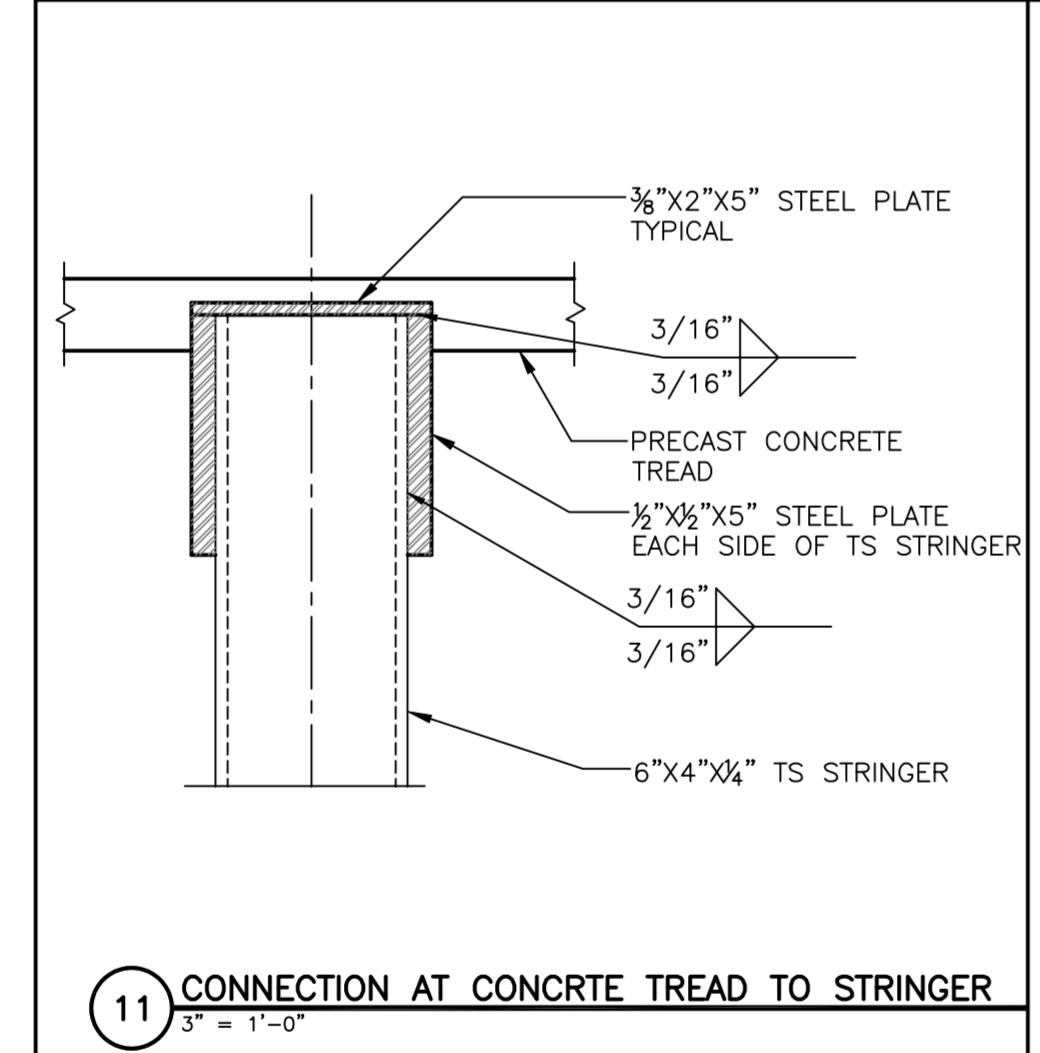
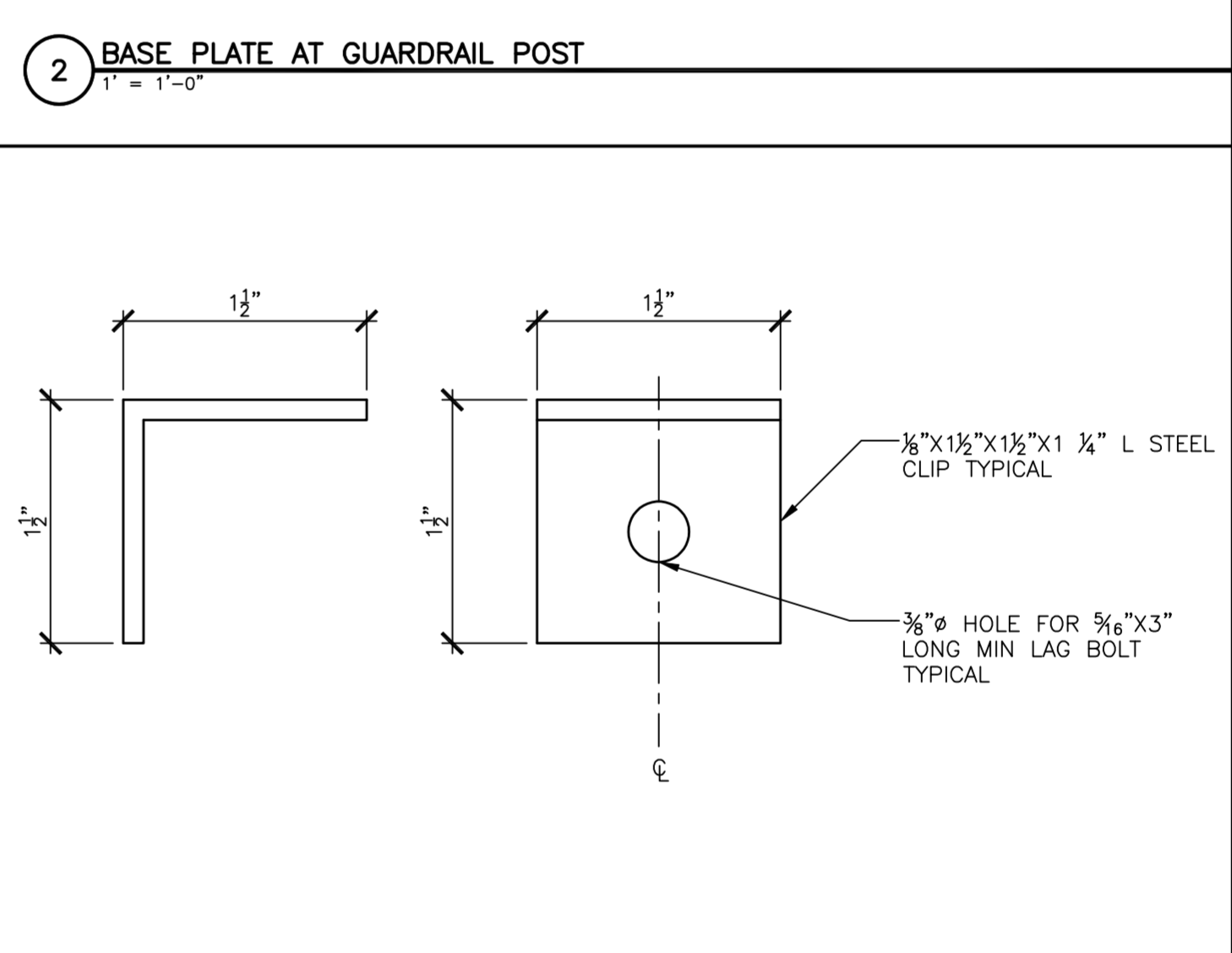
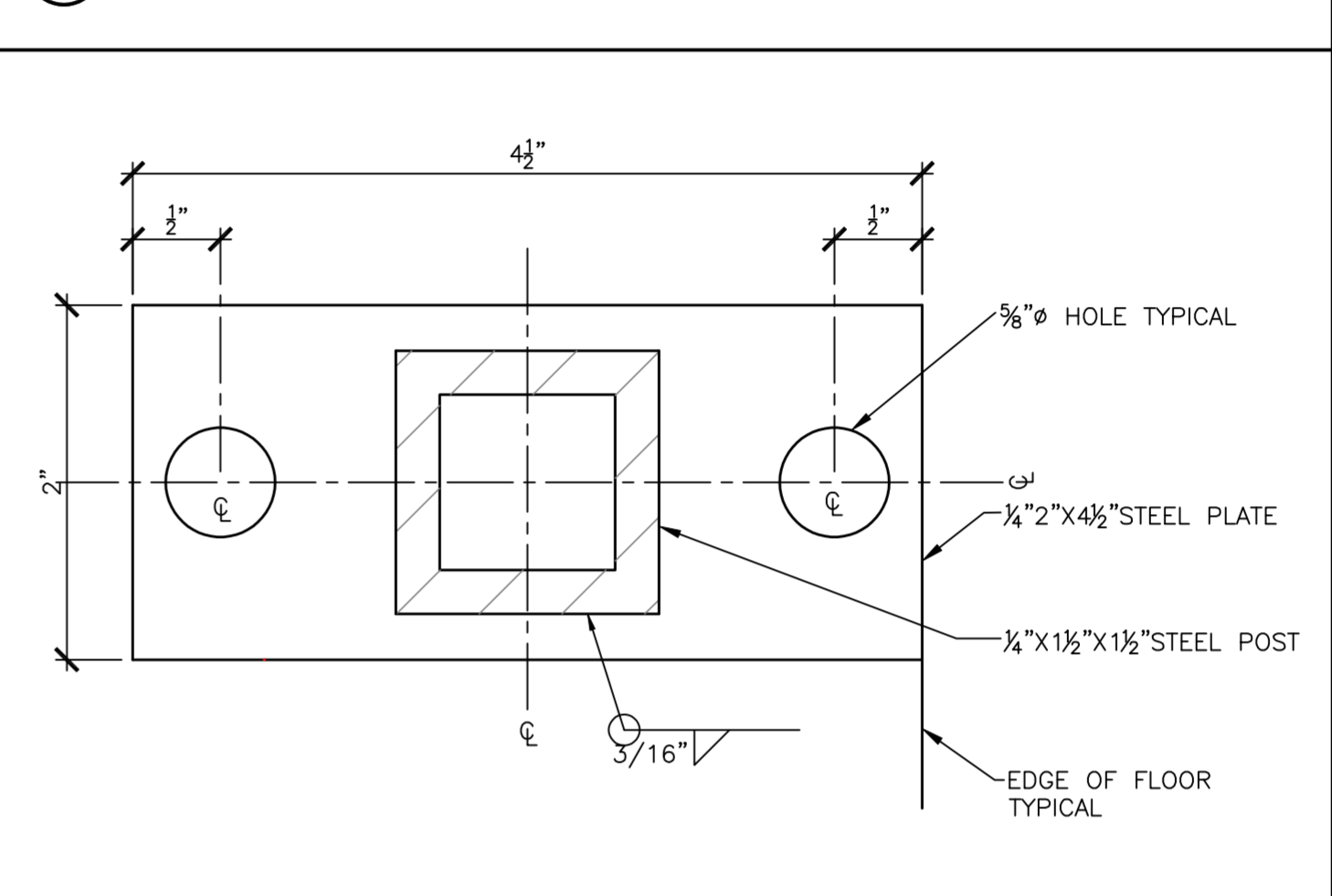
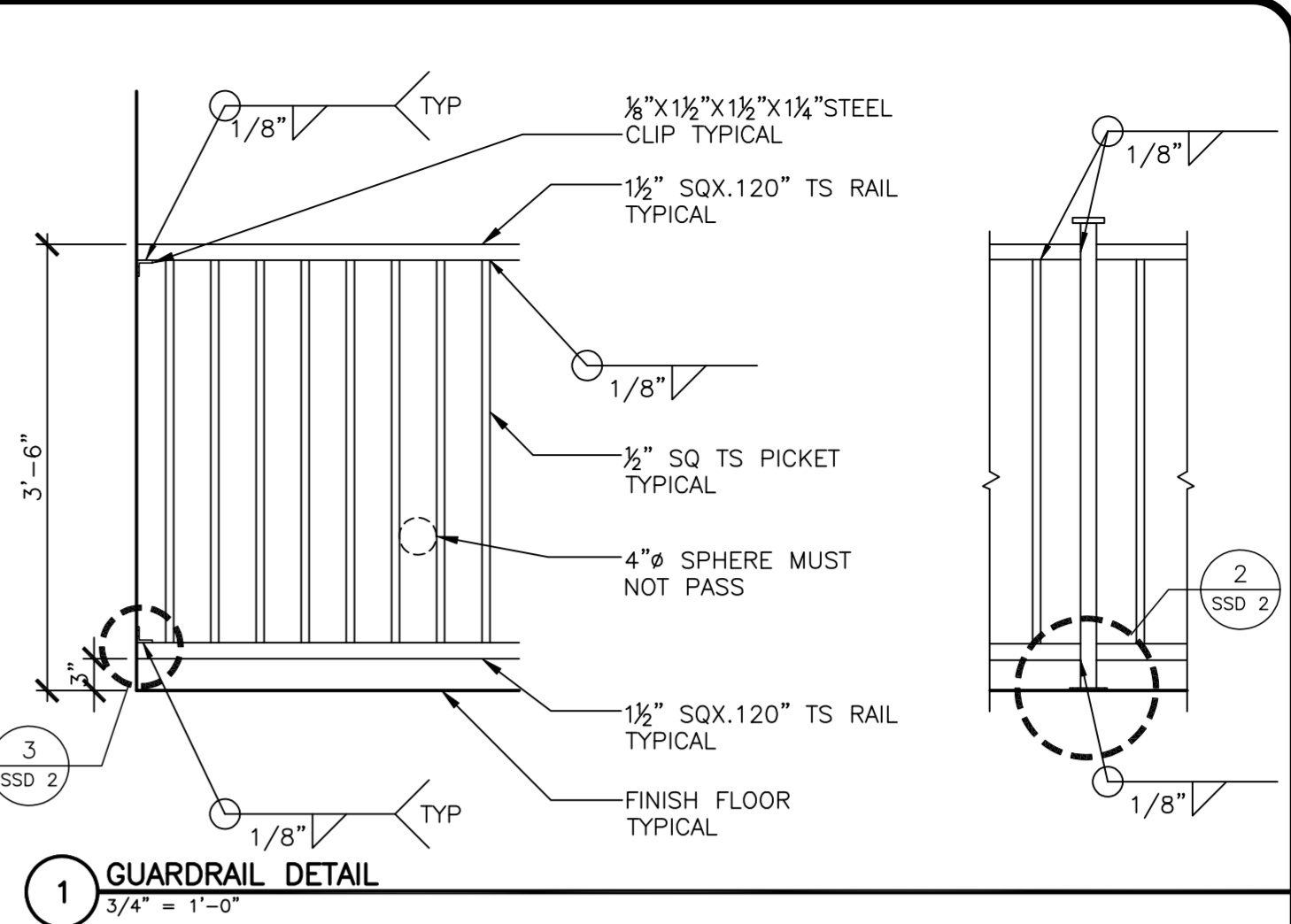
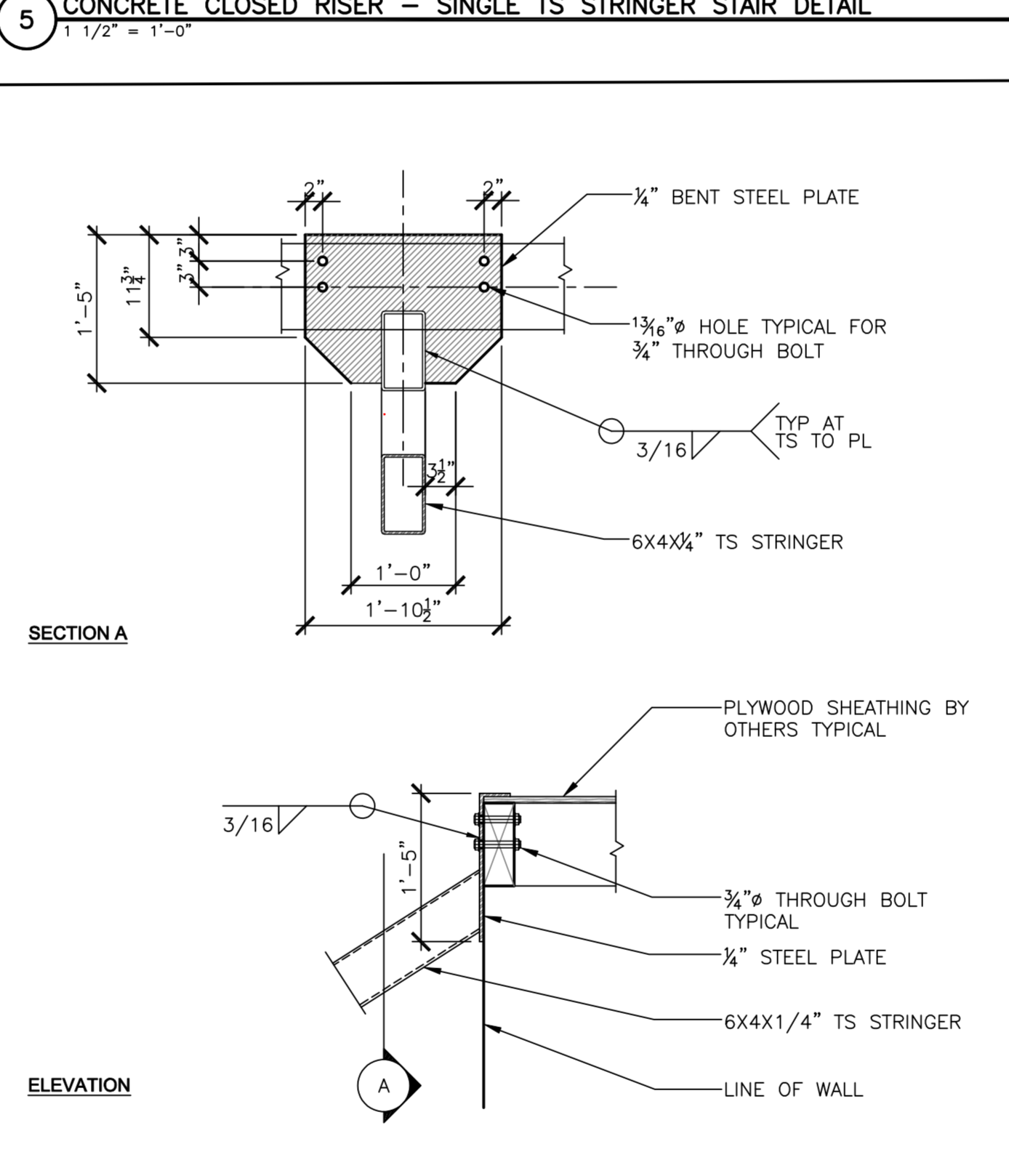
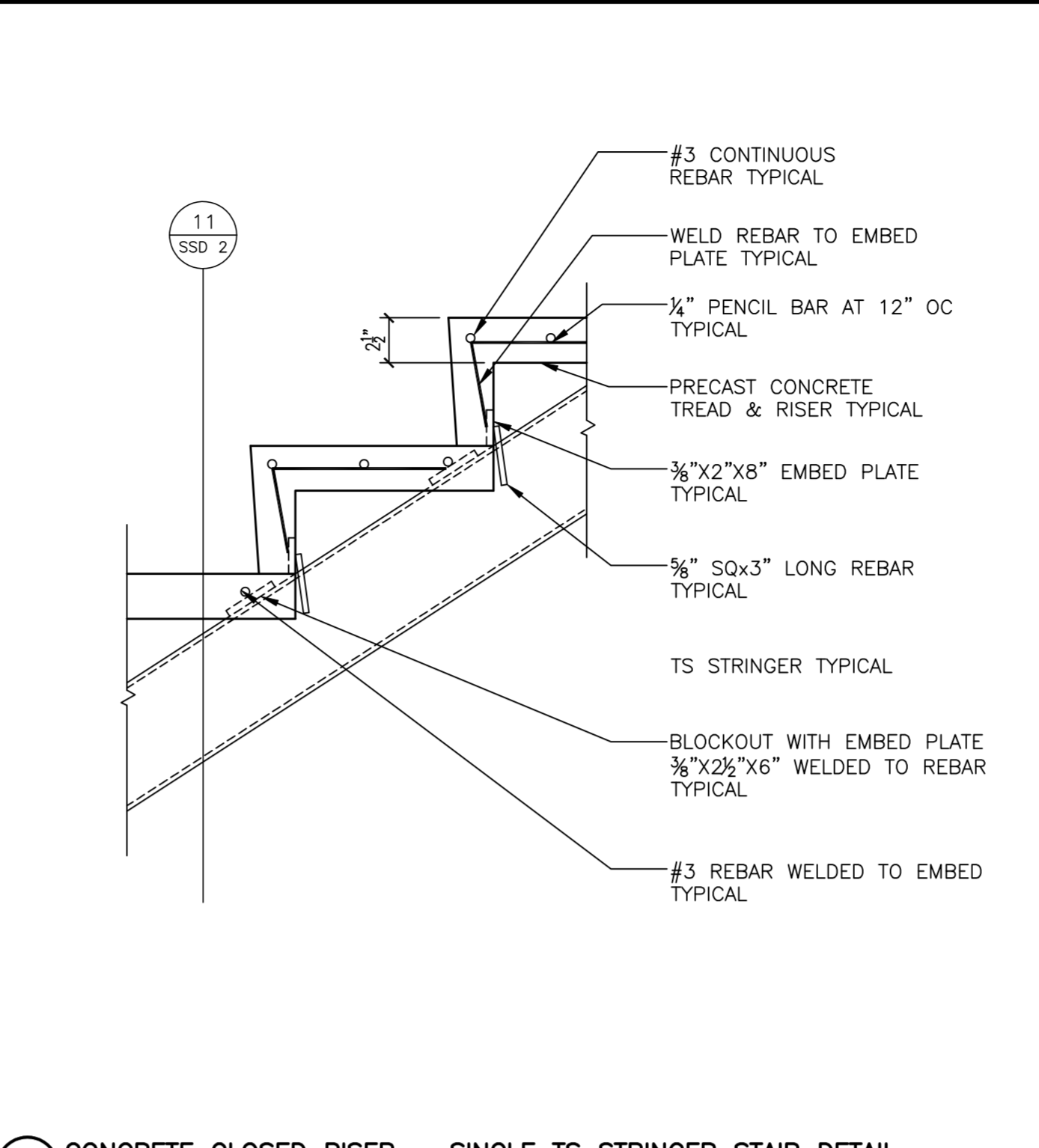
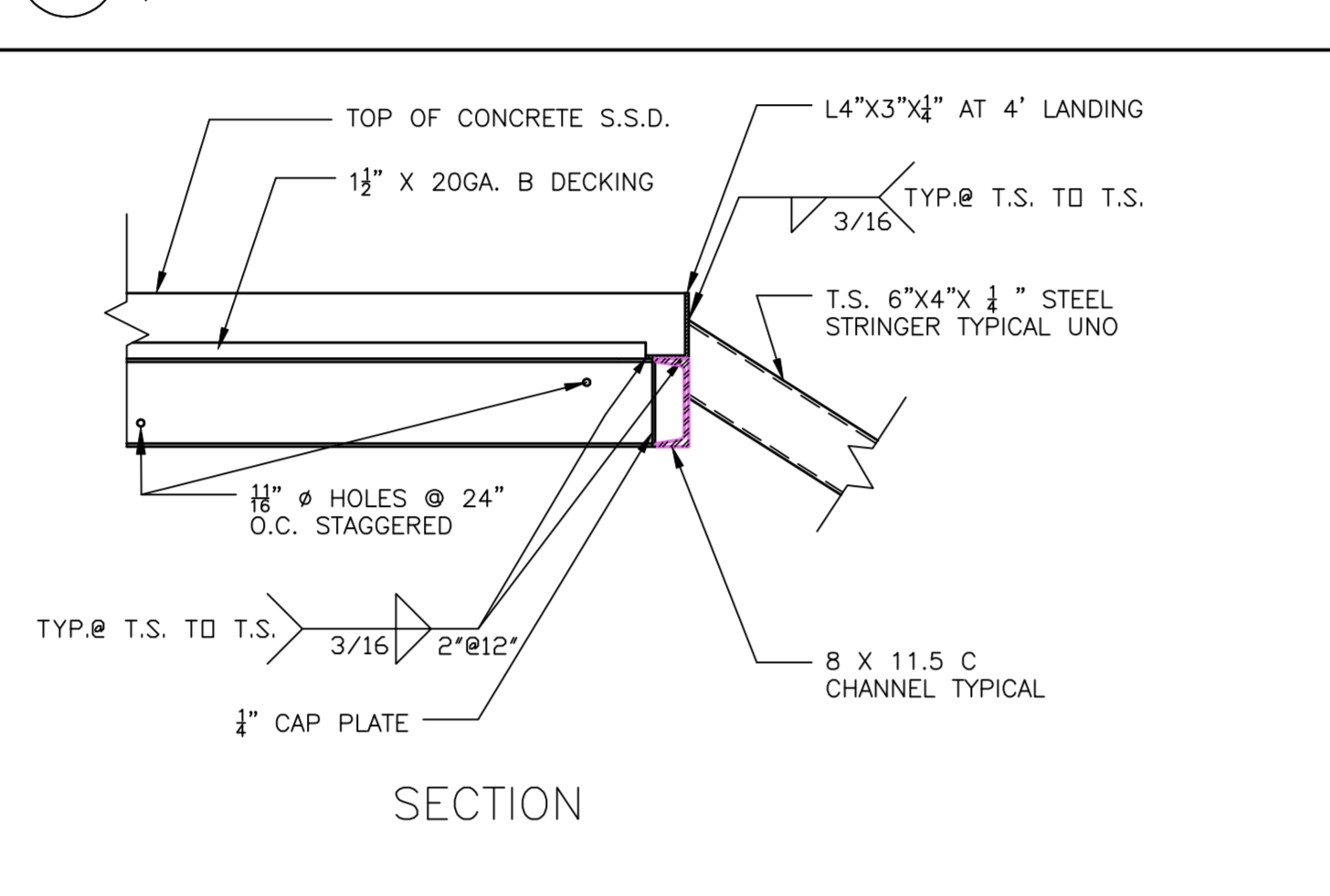
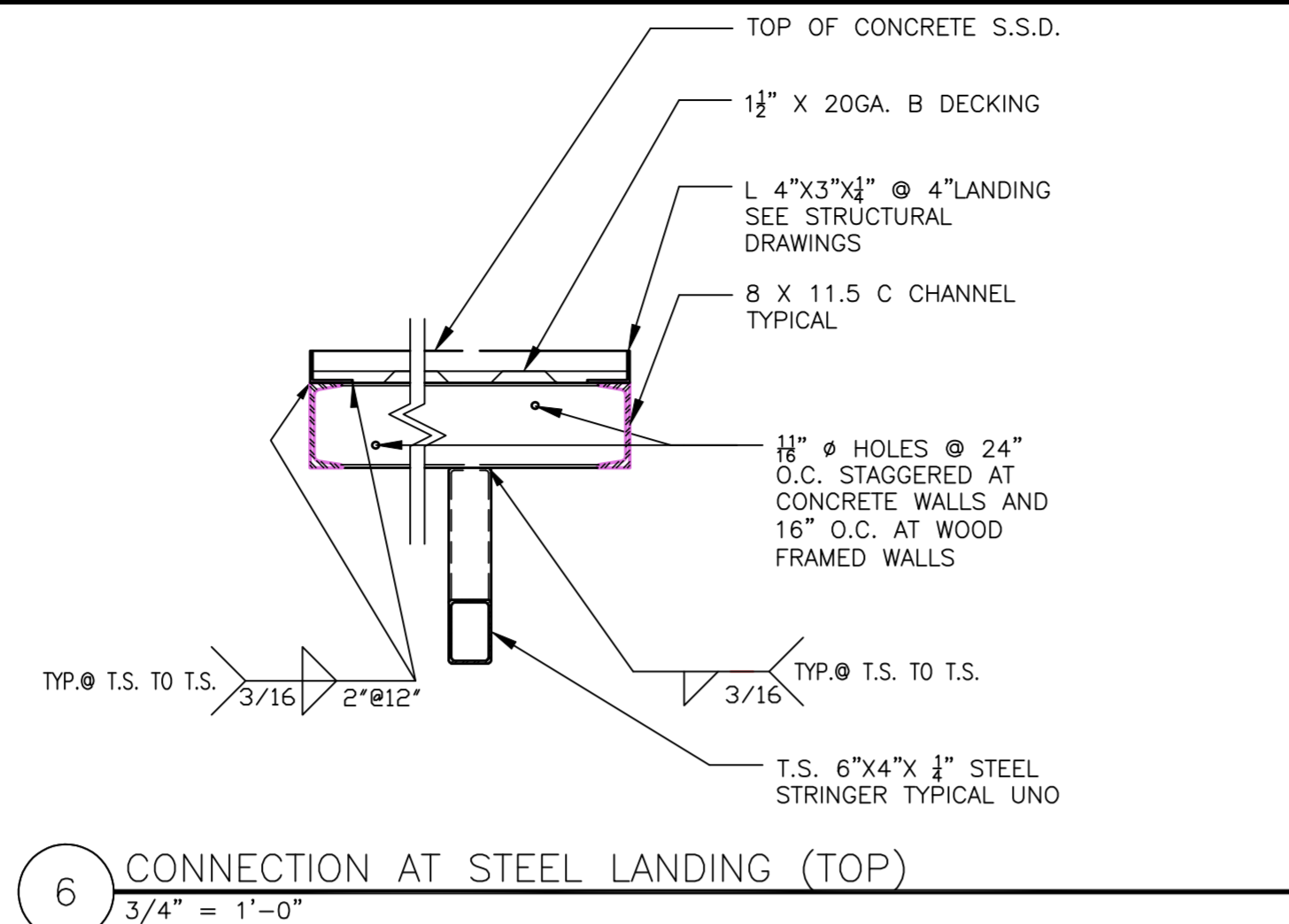
PROJECT

SHOP DRAWINGS
 FOR
 ARGENAL WELDING
 HANDRAILS
 STERLING HILLS AT
 QUARRY HEIGHTS
 PETALUMA
 CALIFORNIA

PROJECT NO: 2011-02
 DATE: 02/09/2011
 SCALE: AS SHOWN

SHEET **SSD 1**
 OF SHEETS





The Design & Building Works

THE DESIGN & BUILDING WORKS
 3678 MONTECITO AVE
 SANTA ROSA CA 95404
 PHONE: (707) 526-9566
 e-mail: e-picard@comcast.net

CONTACT: ELLEN PICARD

revisions

CONSULTANTS:

PROJECT

SHOP DRAWINGS
 FOR
 ARGENAL WELDING
 HANDRAILS
 STERLING HILLS AT
 QUARRY HEIGHTS
 PETALUMA
 CALIFORNIA

PROJECT NO: 2011-02
 DATE: 02/09/2011
 SCALE: AS SHOWN

SHEET **SSD 2**
 OF SHEETS